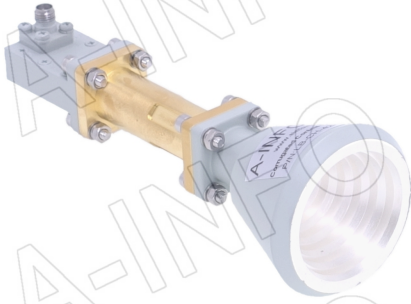


For reference only. See data sheet for the detailed specifications.

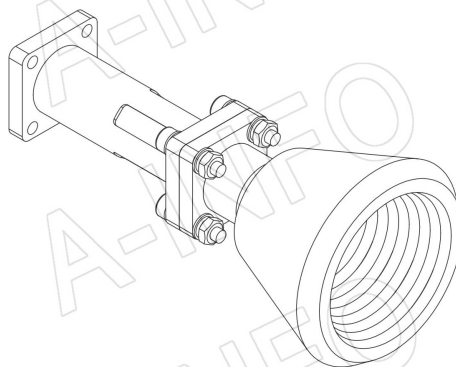
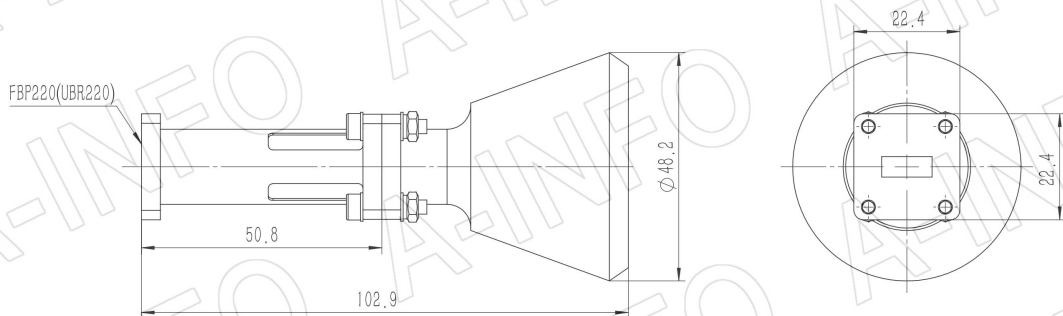
## Technical Specification

Frequency Range(GHz)	18.0 – 26.5
Waveguide	WR42
Gain(dBi)	15 Typ.
Polarization	Linear
3dB Beamwidth(deg)	E Plane: 29 Typ.
	H Plane: 28 Typ.
Cross Pol. Isolation(dB)	45 Typ.
VSWR	A Type: 1.25:1 Typ.
	C Type: 1.40:1 Typ.
Output	A Type: FBP220(UBR220)
	SMA-Female C Type: or 2.92mm-Female or 3.5mm-Female
Material	Al
Finish	Gold Plated and Silver Plated, Gray Paint
Size(mm)	A Type: 48.2 x 48.2 x 102.98
	C Type: 48.2 x 48.2 x 137.9
Net Weight(Kg)	A Type: 0.14 Around
	C Type: 0.22 Around



## Outline Drawing (Size: mm)

FBP220 Output (P/N: LB-CH-42-15-A)



## AINFO Inc.

China(Beijing): Tel: (+86) 10-6266-7326,  
China(Chengdu): Tel: (+86) 28-8519-2786,  
USA: Tel: (+1) 949-639-9688,

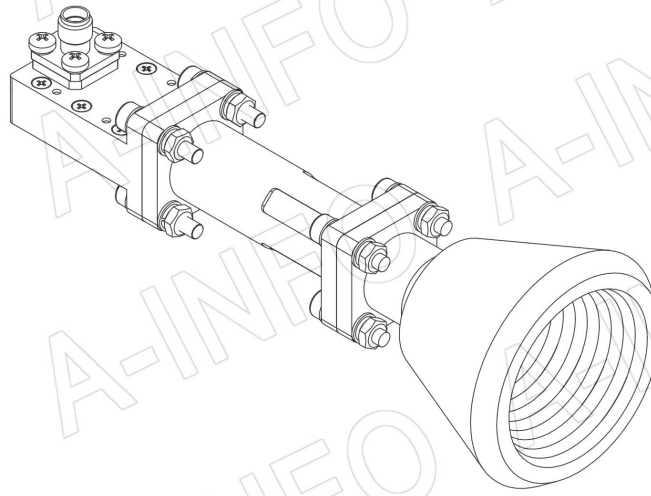
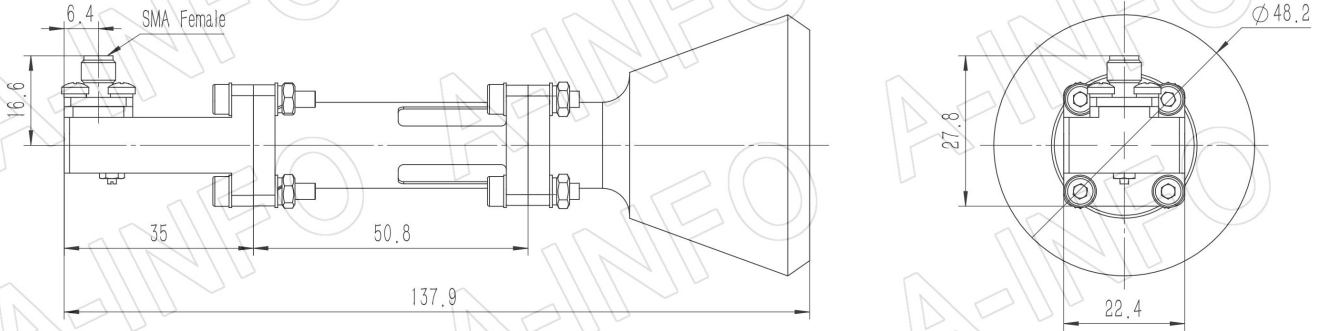
Page 1 of 9

(+86) 10-6266-7327 Fax: (+86) 10-6266-7379  
(+86) 28-8519-3044 Fax: (+86) 28-8519-3068  
(+1) 949-639-9608 Fax: (+1) 949-639-9670

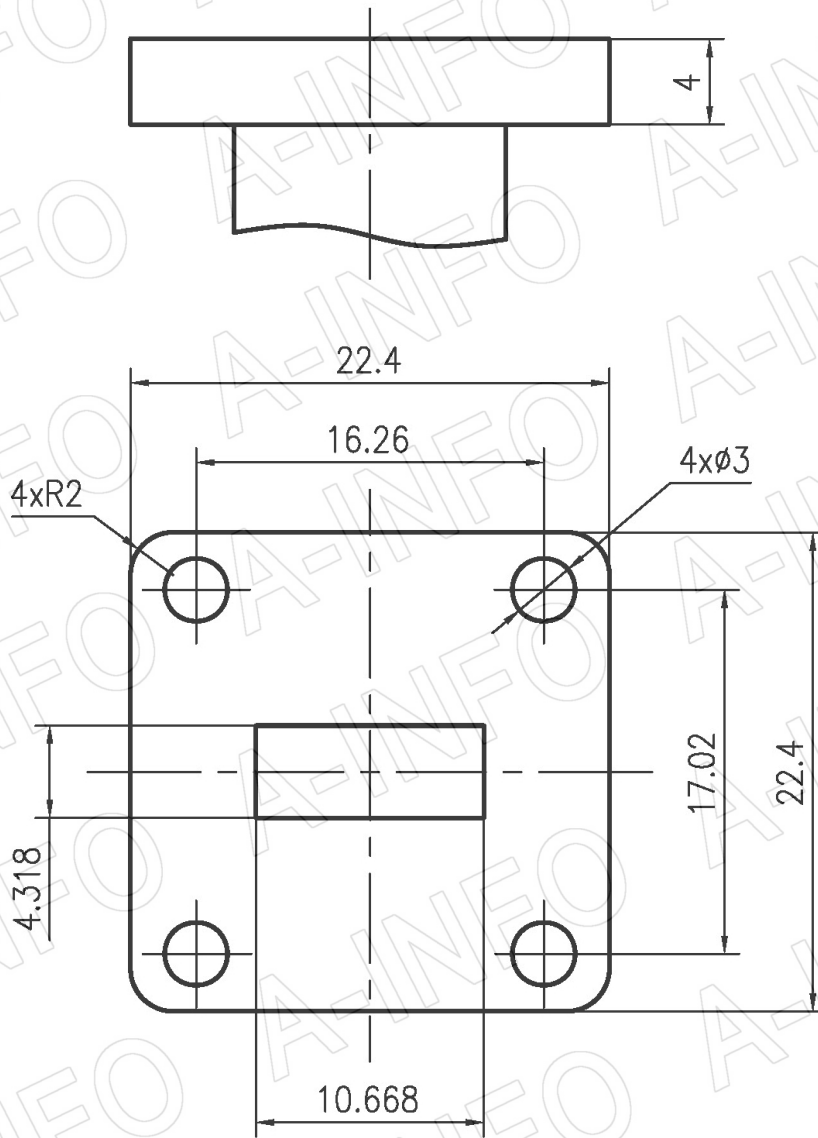
Website: [www.ainfoinc.com](http://www.ainfoinc.com)  
Email: [sales@ainfoinc.com](mailto:sales@ainfoinc.com)

## SMA-Female Output (P/N: LB-CH-42-15-C-SF)

For 2.92mm-Female or 3.5mm-Female output outline drawing, please contact A-INFO.



## Flange Drawing (Size: mm)



### FBP220

#### AINFO Inc.

China(Beijing): Tel: (+86) 10-6266-7326,  
China(Chengdu): Tel: (+86) 28-8519-2786,  
USA: Tel: (+1) 949-639-9688,

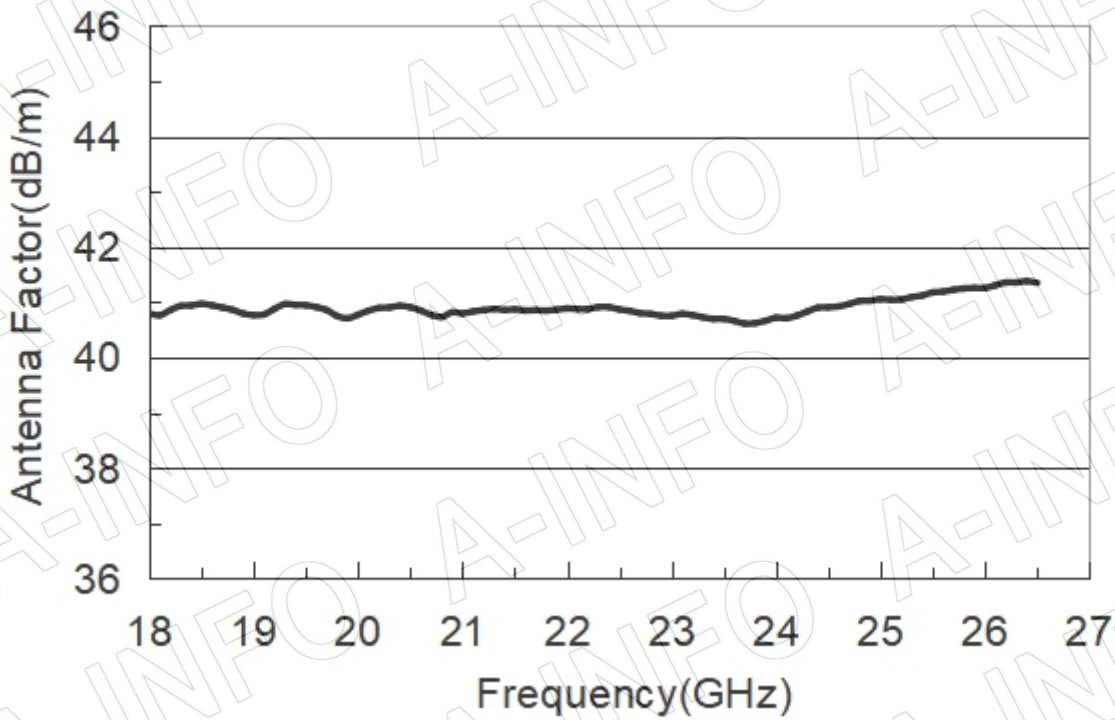
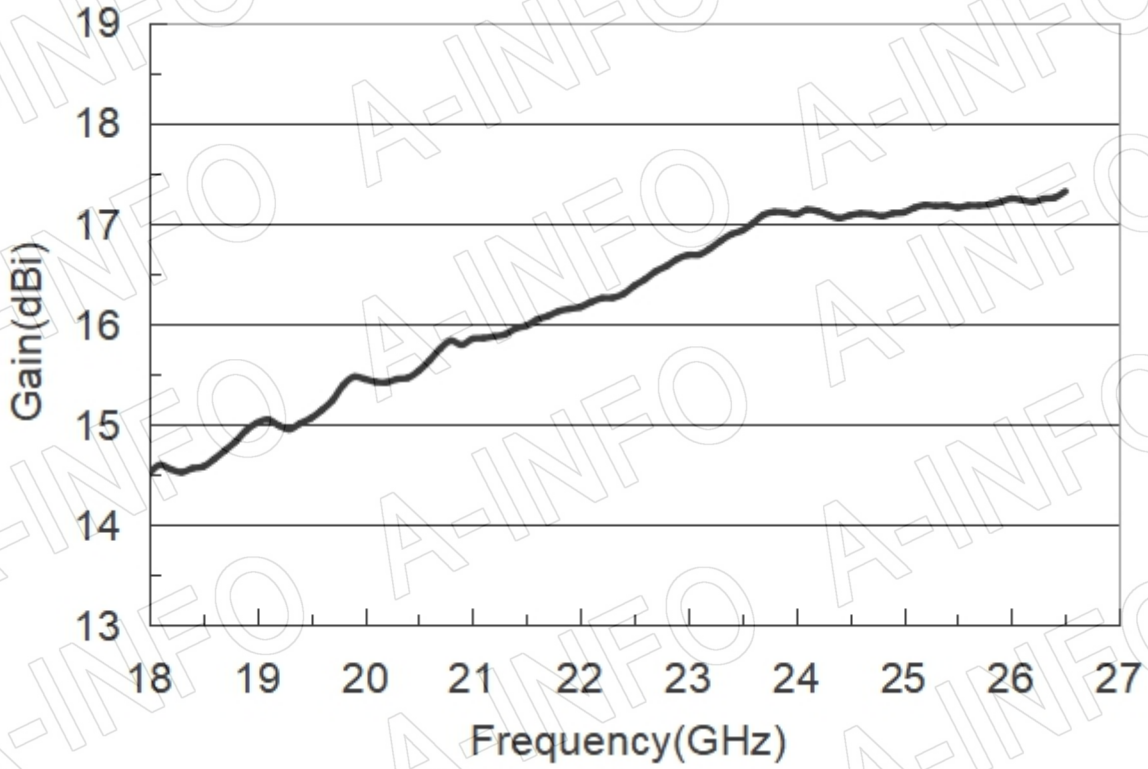
Page 3 of 9

(+86) 10-6266-7327 Fax: (+86) 10-6266-7379  
(+86) 28-8519-3044 Fax: (+86) 28-8519-3068  
(+1) 949-639-9608 Fax: (+1) 949-639-9670

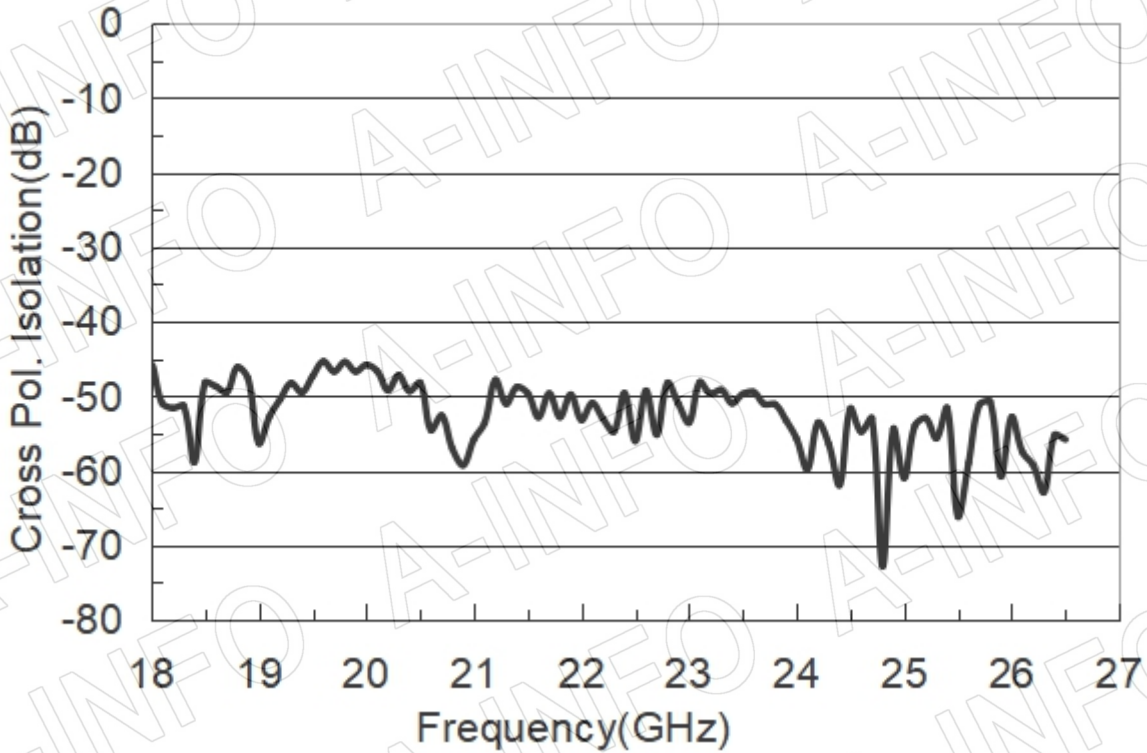
Website: [www.ainfoinc.com](http://www.ainfoinc.com)  
Email: [sales@ainfoinc.com](mailto:sales@ainfoinc.com)

## Test Results

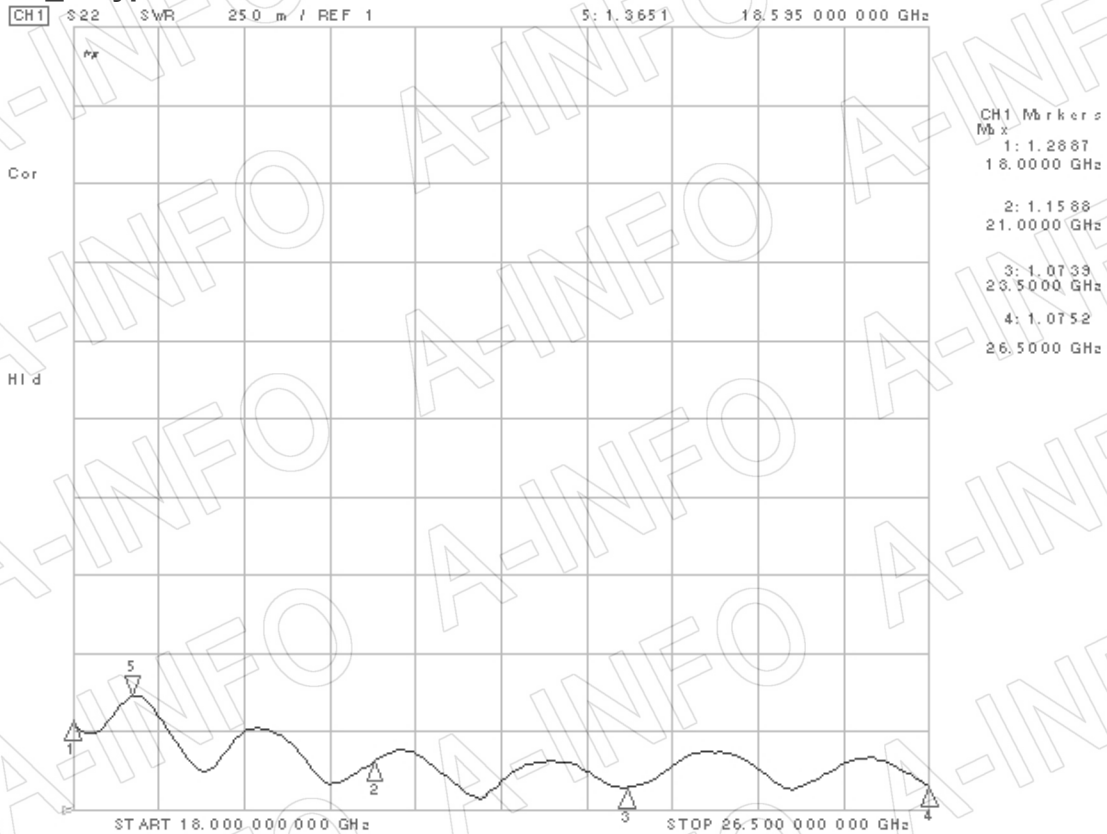
### 1. Gain & Antenna Factor



## 2. Cross Polarization Isolation

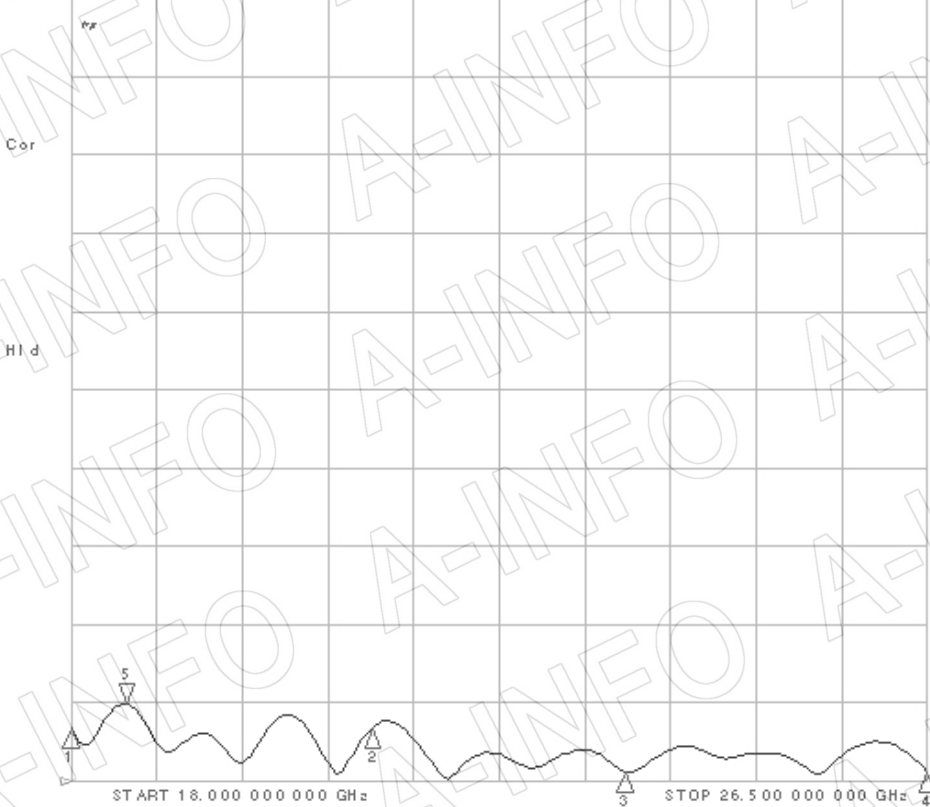


## 3. VSWR\_A Type



## VSWR\_C Type

CH1 S22 SWR 4.00 m / REF 1 5: 1.3361 18.552500000 GHz



## 4. Pattern

